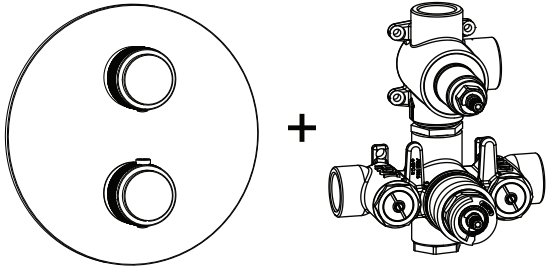




250.4420 | 3/4" Thermostatic Valve With 2-Way Diverter & Integrated Volume Control & Trim

SPECIFICATIONS:

- Turn bottom handle to control temperature.
- Turn top handle to divert water & control volume.
- Includes Thermostatic valve (TVH.4420) w/ service stops
- Thermostatic Valve Flow Rate - 13.0 GPM @ 60 PSI
- Extension Available - TVH.4101E**



Trim
[250.4420T**]

Valve
[TVH.4420]

! A separate volume control is **not** needed to turn water supply off. Volume control functionality is integrated within this valve.

CALGreen Compliant



Belgian Mirror Finish



Legislation Compliance

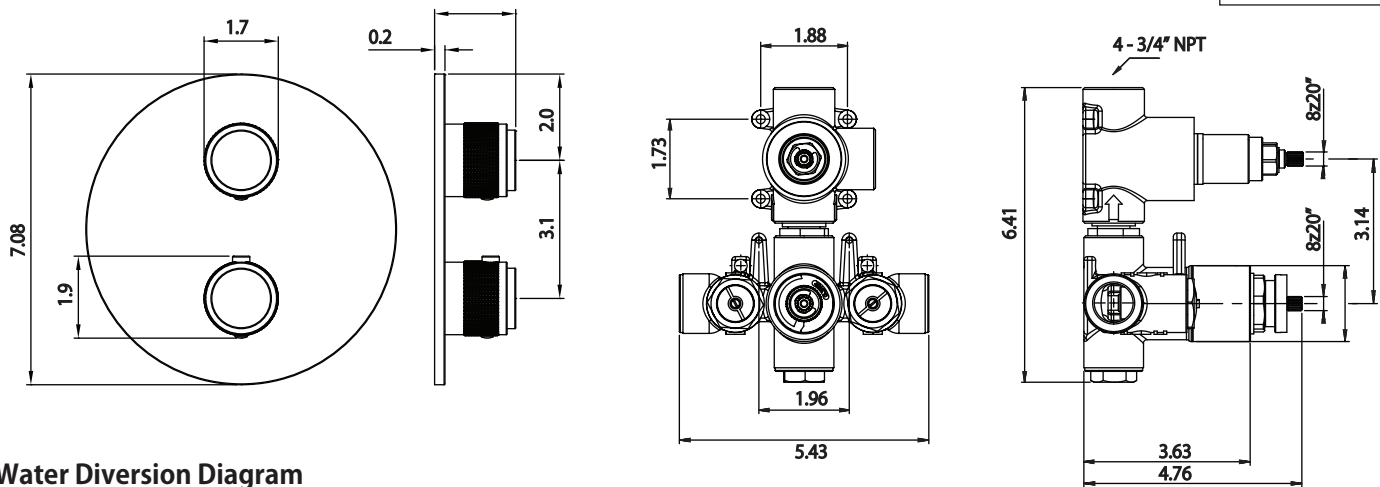


ZeroDrip Technology

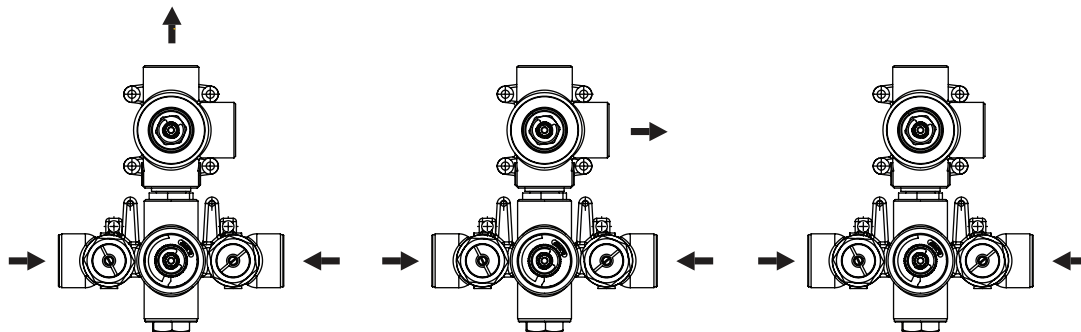


Technical Diagram

See Spec Sheet For TVH.4420 For Detailed Information On Valve.



Water Diversion Diagram



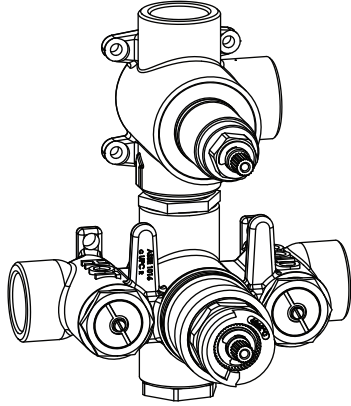
Diverter Position = 1

Diverter Position = 2

Diverter Position = off



TVH.4420 | 3/4" Thermostatic Valve With 2-Way Diverter & Integrated Volume Control Page 1 of 2



SPECIFICATIONS:

- Turn bottom knob to control temperature.
- Turn top knob to control water flow.
- Thermostatic Valve Flow Rate - 13.0 GPM @ 60 PSI

STANDARDS:

- ASME A112.18.1 / CSA B125.1

!
A separate volume control is **not** needed to turn water supply off. Volume control functionality is integrated within this valve.

CALGreen Compliant



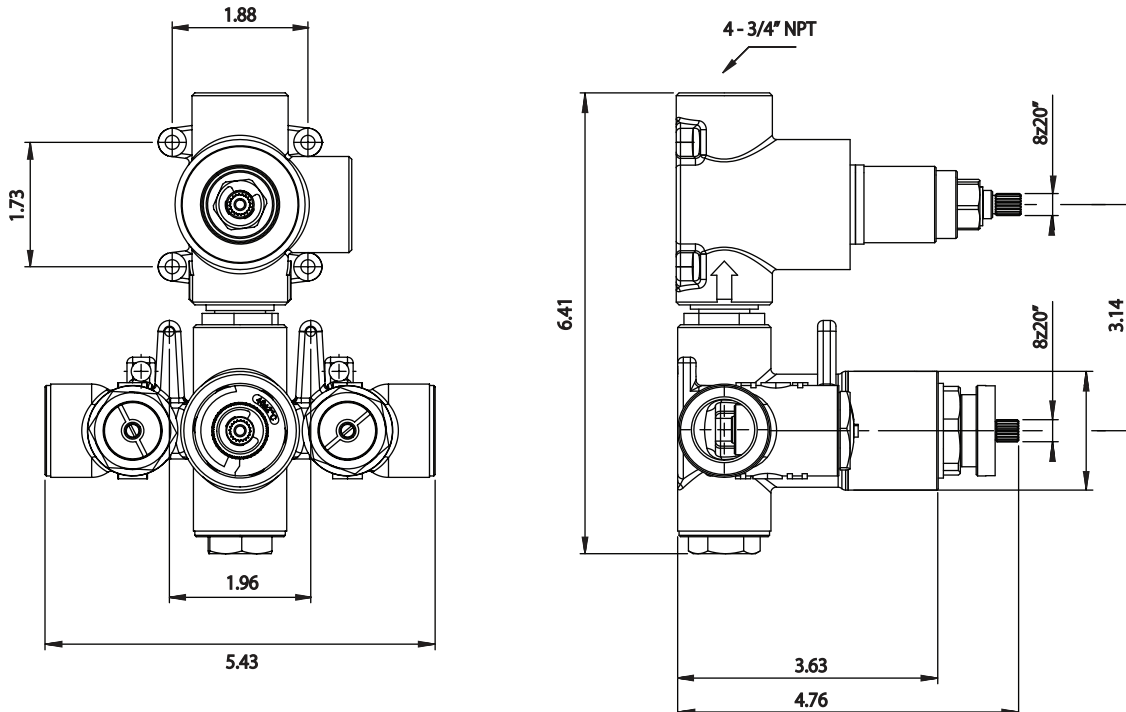
Legislation Compliance



ZeroDrip Technology



Technical Diagram



TVH.4420 | 3/4" Thermostatic Valve With 2-Way Diverter & Integrated Volume Control
Volume Control Page 2 of 2



Water Diversion Diagram

